



EAN code:
RFDK-21/MPW: 8595188197267

Technical parameters	RFDK-21/MPW
Supply voltage:	110 - 230 V AC / 50-60 Hz
Apparent power:	1.1 VA
Dissipated power:	0.8 W
Supply voltage tolerance:	±10 %
Dimmed load:	R,L,C, LED, ESL
Output	
Contactless:	2 x MOSFET
Load capacity:	Classic lamps (14-200 VA AC), Halogen lamps 230V (14-150 VA AC), halogen lamps with wound transformer 12V (14-150 W), Halogen lamps with electronic transformer 12 V (14-150 W), LED Trailing Edge RC (7-100 W a 230 V AC), LED Leading Edge RL (7-20 W a 230 V AC)
Connection:	3 wires (the dimmer does not work without a neutral wire)
Protection	overheat, shortcircuit
Control	
Wireless:	up to 25-channels (buttons)
Communication protocol:	RFIO2
Frequency:	866 - 922 MHz
Repeater function:	yes
Manual control:	The status ON/OFF can be changed pushing any part of the rocker (up or down)
Status indication:	red LED
Range:	in open space up to 160 m
Other data	
Operating temperature:	-15 ... +45 °C
Storing temperature:	-20 ... +60 °C
Installation:	VDE standard boxes and plasterboard boxes, with or without claws
Connection terminal type:	Screw
Cable entry:	Rear mounting
Max. Wire Gauge:	2.5mm ² (rigid and flexible conductors)
Protection:	IP30
IK Rating:	IK04
Overvoltage category:	III.
Pollution degree:	2
Dimensions:	90 x 90 x 45 mm
Weight:	120 g
Related standards:	EN 60730, EN 63044, EN 300 220, EN 301 489

Variants

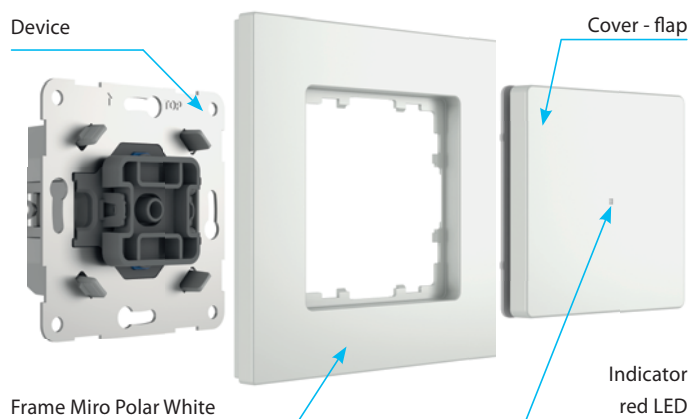
9726 MIRO button controller with dimmer, Polar WHITE



●	SM59705-AM	MIRO rocker for on-wall button controller, Aluminium
●	59001-AM	Single FRAME MIRO, Aluminium
●	SM59705-BM	MIRO rocker for on-wall button controller, White Matt
●	59001-BM	Single FRAME MIRO, White Matt
●	SM59705-CM	MIRO rocker for on-wall button controller, Carbon
●	59001-CM	Single FRAME MIRO, Carbon
●	SM59705-NM	MIRO rocker for on-wall button controller, Black Matt
●	59001-NM	Single FRAME MIRO, Black Matt

- Universal dimmer in MIRO design and 2 button inputs:
 - R – classic lamps (resistive load)
 - L – halogen lamps with wound transformer (inductive load)
 - C – halogen lamps with electronic transformer (capacity load)
 - ESL – dimmable energy-efficient fluorescent lamps
 - LED – LED light sources (230 V) equipped with LED.
- The touch buttons on the circuit breaker allow you to directly control the integrated dimmer as well as other components of the installation.
- Miro push button controller can be combined with other controllers, elements, detectors, and iNELS Wireless system elements.
- 7 light functions – smooth increase or decrease with time setting 2 s – 30 min.
- When switched off, the set level is stored in the memory, and when switched back on, it returns to the most recently set value.
- Thanks to setting the min. brightness you will eliminate flashing of the LED and ESL light sources.
- The universal dimmer may be controlled by up to 25-channels.
- Possibility to set the memory status in case of power failure.
- Range up to 160 m (in open space).
- Communication frequency with bidirectional protocol RFIO2.
- Selection of cover and frames designs from the wide range of MIRO (Polar White in the base).
- Connection to the iNELS App. via eLAN-204.

Device description



Connection

