

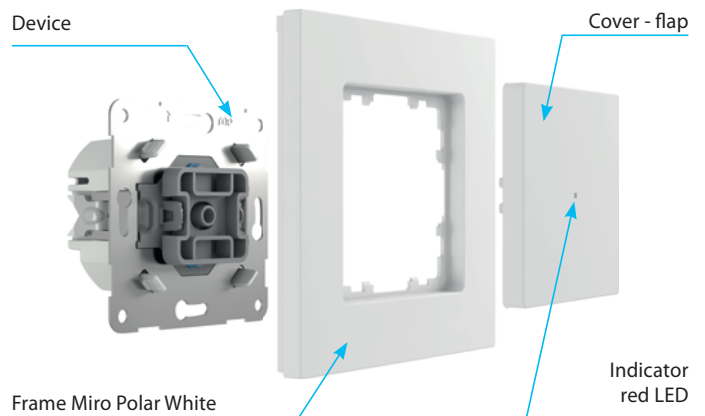


EAN code:  
RFSK-21/MPW: 8595188197247

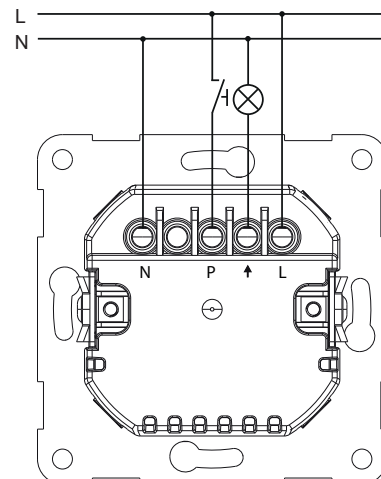
Technical parameters	RFSK-21/MPW
Supply voltage:	110 - 230 V AC
Supply voltage frequency:	50-60 Hz
Apparent power:	7 VA / $\cos \varphi = 0.1$
Dissipated power:	0.7 W
Supply voltage tolerance:	+10 %; -15 %
<b>Output</b>	
Number of contacts:	1x switching / ZERO CROSS
Rated current:	10 A / AC1
Switching power:	2300 VA / AC1, 200W (LED), 1050VA (Fluorescent)
Peak current:	$I_{peak} < 110A$ 300us / max. input capacity 125 uF
Minimum Load:	5W (LED)
Switching voltage	Supply voltage / potential L
Mechanical service life:	$1 \times 10^7$
Electrical service life (AC1):	$1 \times 10^5$
Temperature protection::	yes
<b>Control</b>	
Wireless	4 or 6 buttons
Communication:	wireless, RFIO2
Frequency:	868.5 MHz (max. EIRP 14 dBm)
Repeater Function:	yes
Manual control:	The status ON/OFF can be changed pushing any part of the rocker (up or down)
Status indication:	red LED
Range:	in open areas up to 200 m
<b>Other data</b>	
Operating temperature:	-15 ... +50 °C
Storing temperature:	-20 ... +60 °C
Mounting:	VDE standard boxes and plasterboard boxes, with or without claw
Connection terminal type:	Screw
Cable entry:	Rear mounting
Max. Wire Gauge:	2,5mm <sup>2</sup> (rigid and flexible conductors)
Pollution degree:	IP30
IK Rating:	IK04
Overvoltage category:	III.
Pollution degree:	2
Dimensions:	90 x 90 x 45 mm
Weight:	120 g
Related standards:	EN 60730, EN 63044, EN 300 220, EN 301 489

- MIRO button controller with output relay is used to control lights and other appliances.
- 2 Buttons allow control directly output relay or other devices in iNELS Wireless system.
- MIRO push button controller can be combined with other controllers, elements, detectors, and iNELS Wireless system elements.
- 6 functions – button, impulse relay and time function of delayed start or return with a time setting of 2 s - 60 min.
- Any function can be assigned to output relay.
- Possibility to set the memory of the output state during a power failure and subsequent restoration of the power supply.
- The outputs can be controlled by up to 25 channels (1 channel represents one button on the controller).
- Range up to 160 m (in open space).
- Communication bidirectional protokol RFIO2,
- Selection of cover and frames designs from the wide range of Miro (Polar White in the base)

### Device description



### Connection



### Variants

9724 MIRO button controller with dimmer, Polar WHITE



- SM59705-AM MIRO rocker for on-wall button controller, Aluminium
- 59001-AM Single FRAME MIRO, Aluminium
- SM59705-BM MIRO rocker for on-wall button controller, White Matt
- 59001-BM Single FRAME MIRO, White Matt
- SM59705-CM MIRO rocker for on-wall button controller, Carbon
- 59001-CM Single FRAME MIRO, Carbon
- SM59705-NM MIRO rocker for on-wall button controller, Black Matt
- 59001-NM Single FRAME MIRO, Black Matt